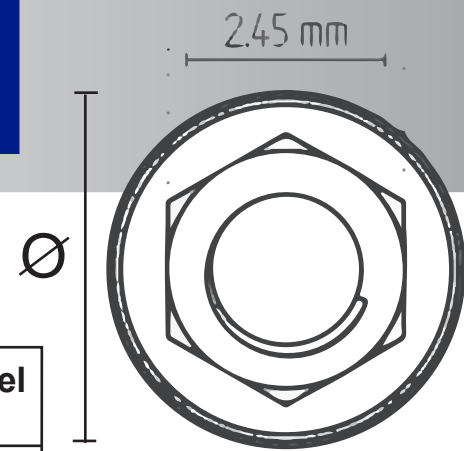
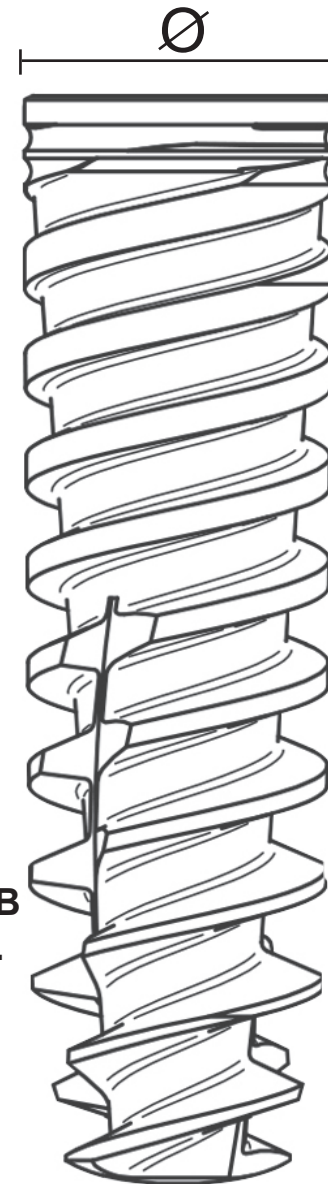


# IMPLANTES DDDN



Longitud del implante	Diametro del grosor	Longitud del implante	Diametro del grosor	Longitud del implante	Diametro del grosor	longitud del implante	Diametro del grosor	longitud del implante	Diametro del grosor
8 mm	∅ <b>3.3 mm</b>	8 mm	∅ <b>3.75 mm</b>	8 mm	∅ <b>4.2 mm</b>	8 mm	∅ <b>5.0 mm</b>	8 mm	∅ <b>6.0 mm</b>
10 mm		10 mm		10 mm		10 mm			
11 mm		11 mm		11 mm		11 mm			
13 mm		13 mm		13 mm		13 mm			



NP CONICAL HEALING ABUTMENT



RS HEALING ABUTMENT



RS STRAIGHT TITANIUM ABUTMENT



NP STRAIGHT ABUTMENT



TRANSFER FOR  
CLOSED TRAY

TRANSFER CLIP  
OPEN TRAY

**COMPATIBLE WIHT SISTEM:  
ALPHA BIO/MISS/ADIN/CORTEXAB  
DENTAL/ ZIMMER/BIO ORIZONS.**

**Analog For Regular Platform:  
3.3 mm, 3.75 mm, 4.2 mm**

**For Narrow Platform:  
2.9 mm, 3.0 mm**



**SCREW INCLUDED WITH ALL ABUTMENTS  
PLUS AVAILABLESEPARATELY  
IMP-8324**

**HEXAGONO INTERNO**

# IMPLANTES DDDN

## Technical:

Maximum output power:120W  
Power:110V/220V, 50HZ/60HZ  
Adjustable torque,range:5.0-55N.cm(20:1)  
BLDC Speed:0rpm-4000rpm  
Infusion flow(maximum):150ml/min  
Motor: Original switzerland surgical brushless motor

## Features:

1-Reduction geared contra angle with internal and external irrigation  
-Standard push button reduction geared contra angle  
-Available for standard reduction handpiece  
-Available for standard reduction handpiece  
-Autoclave repeatable

## 2-Original switzerland surgical brushless motor

-Speed is from 0 rpm to 40000 rpm. high torque and wide speed range for all kinds of treatment.  
-Maximum torque is 55N.cm.Powerful torque output can be efficient cutting bone.  
-Unmatched stability,no overheating, silent

## 3-Foot control pedal

-Multi functional foot pedal, could achieve all the operating functions.  
-Easy and flexible.

## 4-Intelligent cooling system

-Hand control and foot control  
-Inner and external channel cooling and wash  
-Quiet and strong water pump

## 5-High Performance control system

-Big LED Screen,control easy  
-10 kinds of the reduction contra angle to choose  
-10 setting program, preset the speed of air motor, cool down the liquid amount and torque, reverse and specific speed.  
-Achieve stepless speed regulation

**\$1,999 DLLS  
PRECIO MAS IVA**



**\$800 DLLS  
PRECIO MAS IVA**

## Contiene:

- Ratchet wrench ( matraca torqueadora)
- Hand Hex driver 1.25mm ( atornillador manual de aditamentos)
- Ratchet Hex driver 2.42mm ( atornillador hexagonal de implantes)
- Low speed Motor mount 1.25mm (porta drills en motor)
- Drill Extender ( extension)
- Marking Drill 1.9mm (MDL) ( fresa de entrada)
- Twisted Drill External Irrigation 2mm (Pilot)
  
- Twisted Drill External Irrigation 2.8mm
  
- Twisted Drill External Irrigation 3.2mm
- Twisted Drill External Irrigation 3.65mm
- Twisted Drill External Irrigation 4.2mm
- Twisted Drill External Irrigation 5.2mm



**\*EXCLUSIVA VENTA POR CATALOGO**